

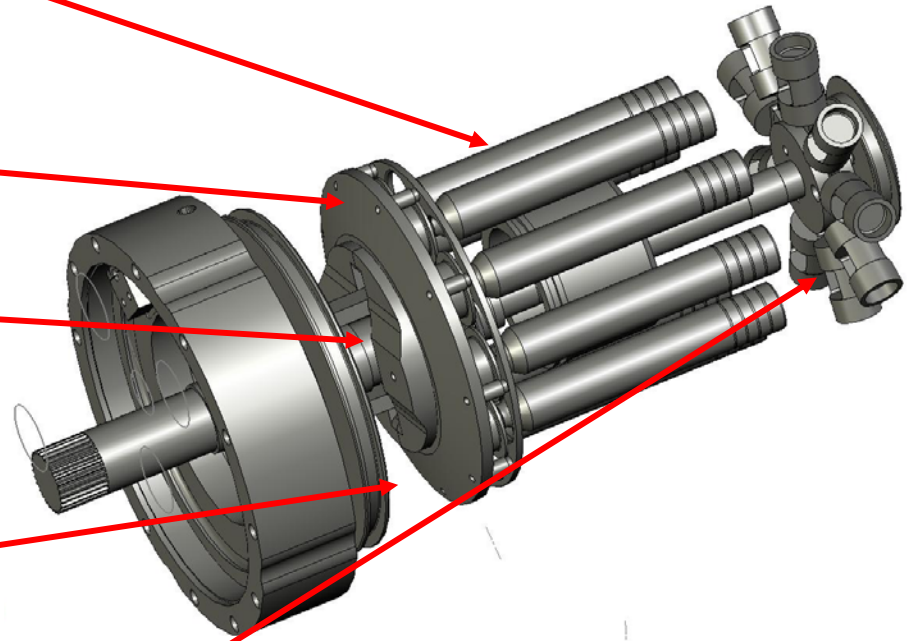
# Patented Revolutionary Hydraulics

- 12.6 ci Pump/Motor
- Variable displacement  
±25° Swash Plate
- High Speed 4,000 RPM
- 4,000 PSI
- 75 lbs.
- 16" x 8"
- Load Pick Up from 0 RPM
- No Low Speed Cogging
- Pump & Motor Identical



# Torvec Hydraulics

- Patented Long Pistons
- Swash Plate
- Over Center
- No Spring Preload
- Dry Sump
- Patented Radial Valves



# Torvec vs. Conventional Hydraulics

- 12.6 in<sup>3</sup>
- Max RPM 4,000
- 75 lbs.
- Load Pick-Up @ 0 RPM
- Small Rotating Mass
- Ft lbs @ 3000 psi = 501 ft-lbs.
- No Cogging

- 10.08 in<sup>3</sup>
- Max RPM 3,100
- 210 lbs.
- Load Pick-Up @ 500 RPM
- Large Rotating Mass
- Ft lbs @ 3000 psi = 397 ft-lbs.
- Cogging up to 500 RPM

